



### **Features:**

- ❖ Supports up to 11.3Gb/s bit rates
- ❖ Monolithically integrated full C-band tunable transmitter and APD receiver
- ❖ 50 GHz ITU channel spacing with integrated wavelength locker
- ❖ Maximum link length of 80km
- ❖ Metal enclosure, for lower EMI
- ❖ 2-wire interface with integrated Digital Diagnostic monitoring
- ❖ Hot-pluggable SFP+ footprint
- ❖ Specifications compliant with SFF-8472 V10.3& SFF-8690 V1.4
- ❖ Compliant with SFP+ MSA with LC connector
- ❖ Power dissipation <1.65W
- ❖ Case temperature range: -5°C to 70°C

### **Applications:**

- ❖ DWDM 10GBASE-ZR/ZW 10G Ethernet
- ❖ DWDM 80KM 10G Fiber Channel
- ❖ DWDM SONET OC-192&SDH STM-64

### **Description:**

The GZCOM 10 Gb/s SFP+ tunable transceiver is an integrated fiber optic transceiver that provides a high-speed serial link at signaling rates up to 11.3 Gb/s. The module complies with the 10 Gigabit Enhanced Small Form Factor Pluggable (SFP+) multisource agreement-MSA (SFF-8431) and SFF-8432, SFF-8690, SFF 8472. It complies with the ITU-T G.698.1 standard with 50 GHz channel spacing for SONET/SDH, IEEE DWDM 10GBASE-ZR for 80 km reach (Ethernet), and DWDM 10GFC for 80 km reach (Fiber Channel) applications.

The transceiver integrates the receiver and transmitter path on one module. The transceiver contain a C-band-tunable integrated Mach-Zehnder (MZ) laser, enabling data transmission over single-mode fiber through an industry-standard LC connector. On the receiver side, the 10 Gbps data stream is recovered from an APD/ trans-impedance amplifier, and passed to an output driver. This module features a hot-pluggable electrical interface.

### **Part Number Ordering Information**

GZSDTxxX-C80	10Gbps DWDM SFP+ 80km Tunable Transceiver LC DDM
--------------	--

**Product selection:**

Channel	Wavelength (nm)	Frequency (THZ)	Channel	Wavelength (nm)	Frequency (THZ)
1	1568.36	191.15	51	1548.11	193.65
2	1567.95	191.20	52	1547.72	193.70
3	1567.54	191.25	53	1547.32	193.75
4	1567.13	191.30	54	1546.92	193.80
5	1566.72	191.35	55	1546.52	193.85
6	1566.31	191.40	56	1546.12	193.90
7	1565.90	191.45	57	1545.72	193.95
8	1565.50	191.50	58	1545.32	194.00
9	1565.09	191.55	59	1544.92	194.05
10	1564.68	191.60	60	1544.53	194.10
11	1564.27	191.65	61	1544.13	194.15
12	1563.86	191.70	62	1543.73	194.20
13	1563.45	191.75	63	1543.33	194.25
14	1563.05	191.80	64	1542.94	194.30
15	1562.64	191.85	65	1542.54	194.35
16	1562.23	191.90	66	1542.14	194.40
17	1561.83	191.95	67	1541.75	194.45
18	1561.42	192.00	68	1541.35	194.50
19	1561.01	192.05	69	1540.95	194.55
20	1560.61	192.10	70	1540.56	194.60
21	1560.20	192.15	71	1540.16	194.65
22	1559.79	192.20	72	1539.77	194.70
23	1559.39	192.25	73	1539.37	194.75
24	1558.98	192.30	74	1538.98	194.80
25	1558.58	192.35	75	1538.58	194.85
26	1558.17	192.40	76	1538.19	194.90
27	1557.77	192.45	77	1537.79	194.95
28	1557.36	192.50	78	1537.40	195.00
29	1556.96	192.55	79	1537.00	195.05
30	1556.55	192.60	80	1536.61	195.10
31	1556.15	192.65	81	1536.22	195.15
32	1555.75	192.70	82	1535.82	195.20
33	1555.34	192.75	83	1535.43	195.25
34	1554.94	192.80	84	1535.04	195.30
35	1554.54	192.85	85	1534.64	195.35
36	1554.13	192.90	86	1534.25	195.40
37	1553.73	192.95	87	1533.86	195.45
38	1553.33	193.00	88	1533.47	195.50
39	1552.93	193.05	89	1533.07	195.55
40	1552.52	193.10	90	1532.68	195.60
41	1552.12	193.15	91	1532.29	195.65
42	1551.72	193.20	92	1531.90	195.70
43	1551.32	193.25	93	1531.51	195.75
44	1550.92	193.30	94	1531.12	195.80
45	1550.52	193.35	95	1530.72	195.85
46	1550.12	193.40	96	1530.33	195.90
47	1549.72	193.45	97	1529.94	195.95
48	1549.32	193.50	98	1529.55	196.00
49	1548.91	193.55	99	1529.16	196.05
50	1548.51	193.60			

**Note:**

1. When a tunable module is plugged in for the first time, it will go to a default channel, GZSDTxxX-C80 default channel is 1568.36nm, compatible with channel range from 1 to 99.
2. When the module is power cycled it will automatically go to the last channel selected, or when Tx\_Disable asserted and then re-enabled, the module returns to the last channel selected.

**Absolute Maximum Ratings:**

Parameter	Symbol	Min.	Typ.	Max.	Unit	Note
Storage Temperature	Ts	-40	-	85	°C	
Relative Humidity	RH	5	-	85	%	
Power Supply Voltage	VCC	-0.3	-	3.6	V	
Signal Input Voltage		Vcc-0.3	-	Vcc+0.3	V	

**Recommended Operating Conditions**

Parameter	Symbol	Min.	Typ.	Max.	Unit	Note
Case Operating Temperature	Tcase	-5	-	70	°C	Without air flow
Power Supply Voltage	VCC	3.14	3.3	3.47	V	
Power Supply Current	ICC	-		500	mA	
Data Rate	BR	1	10.3125	11.3	Gbps	
Transmission Distance	TD		-	80	km	
Coupled fiber	Single mode fiber					9/125um SMF

**Optical Characteristics**

Parameter	Symbol	Min	Typ	Max	Unit	NOTE
<b>Transmitter</b>						
Average Optical Power	Pout	-1		3	dBm	1
Frequency stability (BOL)		$f_c - 1.5$		$f_c + 1.5$	GHz	2
Frequency stability (EOL)		$f_c - 2.5$		$f_c + 2.5$	GHz	2
Center Wavelength Spacing			50		GHz	3
Optical Extinction Ratio	ER	8.2			dB	
Side mode Suppression ratio	SMSR	35			dB	
Average Launch Power(Laser off)	Poff			-30	dBm	
Output Eye Mask	Compliant with IEEE 802.3ae					
<b>Receiver</b>						
Rx Sensitivity with dispersion 0 ps/nm	RSENS			-23	dBm	@9.95, 10.3, 10.5Gbps, BER=10 <sup>-12</sup>
				-27		@10.709Gbps, BER=10 <sup>-12</sup>

						4
				-27		@11.1Gbps, BER=10 <sup>-4</sup>
				-26.5		@11.3Gbps, BER=10 <sup>-4</sup>
Rx Sensitivity with dispersion -400 to +1450 ps/nm				-21		@9.95, 10.3, 10.5Gbps, BER=10 <sup>-12</sup>
				-25		@10.709Gbps, BER=10 <sup>-4</sup>
				-25		@11.1Gbps, BER=10 <sup>-4</sup>
				-24		@11.3Gbps, BER=10 <sup>-4</sup>
Input Saturation Power (Overload)	Psat	-6				dBm
Wavelength Range	$\lambda_c$	1480		1580		nm
LOS De-Assert	LOSD			-27		dBm
LOS Assert	LOSA	-36				dBm
LOS Hysteresis		0.5				dB

**Notes:**

1. Output power is power coupled into a 9/125 mm single-mode fiber.
2.  $f_c$  refer to Page 2 the Frequency row of GZSDTxxX-C80 Wavelength Guide Table, and test condition is reflect power to transmitter lower than -27dBm.
3. Corresponds to approximately 0.4 nm.

**Electrical Characteristics**

Parameter	Symbol	Min	Typ	Max	Unit	NOTE
Supply Voltage	Vcc	3.14	3.3	3.46	V	
Supply Current	Icc			500	mA	
<b>Transmitter</b>						
Input differential impedance	ohm		100		$\Omega$	1
Differential data input swing	Vin,pp	240		910	mV	
Transmit Disable Voltage	Vdis	Vcc-1.3		Vcc	V	
Transmit Enable Voltage	Ven	Vee		Vee+ 0.8	V	2
TX_FAULT Voltage-High		Vcc-1.3		Vcc	V	
TX_FAULT Voltage-Low		Vee		Vee+ 0.8	V	
<b>Receiver</b>						
Differential data output swing	Vout,pp	350		800	mV	3

LOS Fault		Vcc-1.3		VcCHOST	V	4
LOS Normal		Vee		Vee+0.8	V	4

**Notes:**

1. Connected directly to TX data input pins. AC coupled thereafter.
2. Or open circuit.
3. Into 100 ohms differential termination.
4. Loss Of Signal is LVTTTL. Logic 0 indicates normal operation; logic 1 indicates no signal detected.

**Timing Parameters**

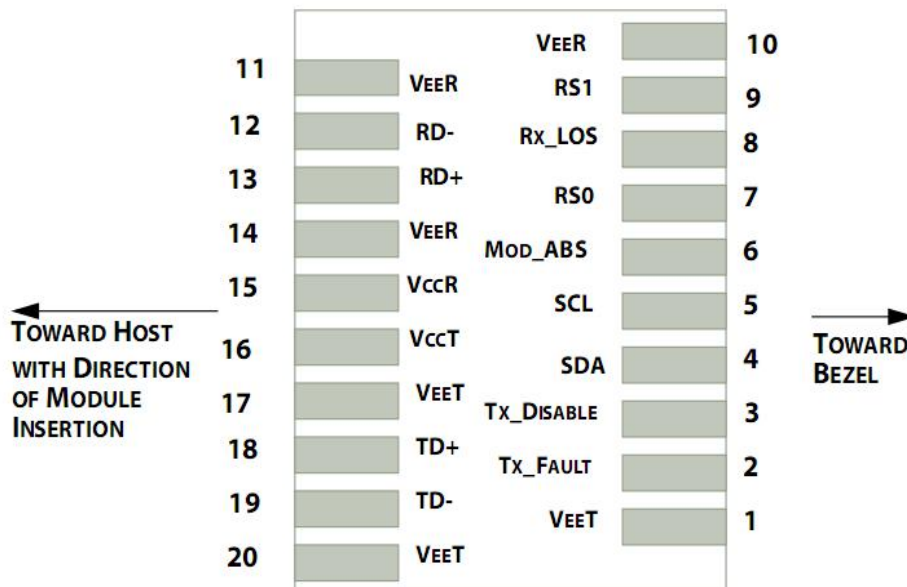
Parameter	Symbol	Min	Typ	Max	Unit	NOTE
Time to initialize cooled module	Tstart_up			20	S	
Channel Switch time	TchannelSwitch			200	ms	Any channel to any channel

**Pin Descriptions**

Notes:

1. Module circuit ground is isolated from module chassis ground within the module.
2. 2 Open collector; should be pulled up with 4.7k – 10kohms on host board to a voltage between 3.15V and 3.6V.
3. A Reference Clock input is not required by the XFP 80km tunable. If present, it will be ignored.

**Digital Diagnostic Functions**



Pin out of Connector Block on Host Board

Pin	Symbol	Name/Description	NOTE
1	V <sub>EET</sub>	Transmitter Ground (Common with Receiver Ground)	1
2	T <sub>FAULT</sub>	Transmitter Fault.	2
3	T <sub>DIS</sub>	Transmitter Disable. Laser output disabled on high or open.	3
4	SDA	2-wire Serial Interface Data Line	4
5	SCL	2-wire Serial Interface Clock Line	4
6	MOD_ABS	Module Absent. Grounded within the module	4
7	RS0	Rate Select 0	5
8	LOS	Loss of Signal indication. Logic 0 indicates normal operation.	6
9	RS1	No connection required	1
10	V <sub>EER</sub>	Receiver Ground (Common with Transmitter Ground)	1
11	V <sub>EER</sub>	Receiver Ground (Common with Transmitter Ground)	1
12	RD-	Receiver Inverted DATA out. AC Coupled	
13	RD+	Receiver Non-inverted DATA out. AC Coupled	
14	V <sub>EER</sub>	Receiver Ground (Common with Transmitter Ground)	1
15	V <sub>CCR</sub>	Receiver Power Supply	
16	V <sub>CCT</sub>	Transmitter Power Supply	
17	V <sub>EET</sub>	Transmitter Ground (Common with Receiver Ground)	1
18	TD+	Transmitter Non-Inverted DATA in. AC Coupled.	
19	TD-	Transmitter Inverted DATA in. AC Coupled.	
20	V <sub>EET</sub>	Transmitter Ground (Common with Receiver Ground)	1

**Notes:**

1. Circuit ground is internally isolated from chassis ground.
2. T<sub>FAULT</sub> is an open collector/drain output, which should be pulled up with a 4.7k – 10k Ohms resistor on the host board if intended for use. Pull up voltage should be between 2.0V to Vcc + 0.3V. A high output indicates a transmitter fault caused by either the TX bias current or the TX output power exceeding the preset alarm thresholds. A low output indicates normal operation. In the low state, the output is pulled to <0.8V.
3. Laser output disabled on T<sub>DIS</sub> >2.0V or open, enabled on T<sub>DIS</sub> <0.8V.
4. Should be pulled up with 4.7kΩ- 10kΩ host board to a voltage between 2.0V and 3.6V. MOD\_ABS pulls line low to indicate module is plugged in.
5. Internally pulled down per SFF-8431 Rev 4.1.
6. LOS is open collector output. It should be pulled up with 4.7kΩ – 10kΩ on host board to a voltage between 2.0V and 3.6V. Logic 0 indicates normal operation; logic 1 indicates loss of signal.

**Digital Diagnostic Functions**

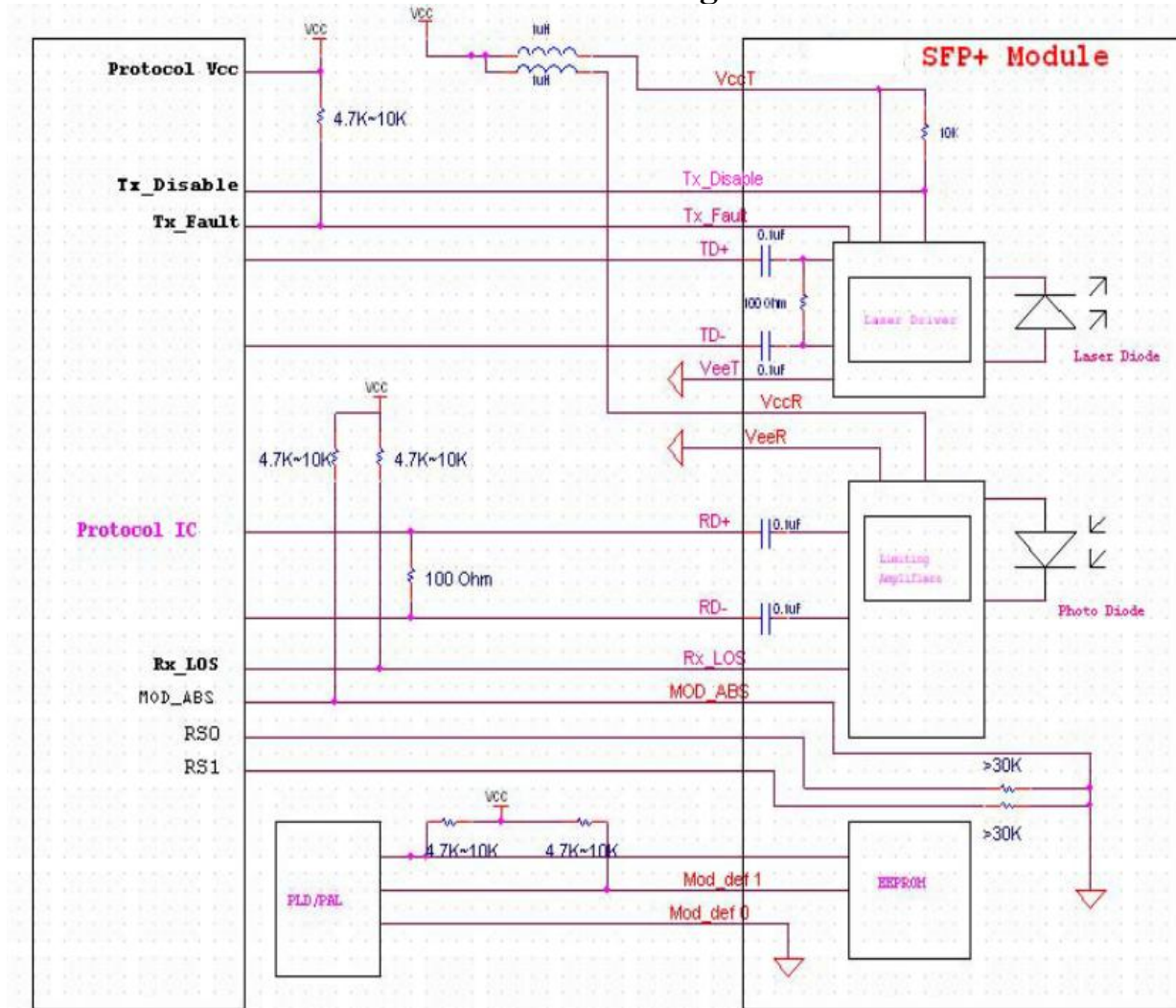
GZCOM GZSDTxxX-C80 transceivers support the 2-wire serial communication protocol as defined in the SFP+ MSA.

The standard SFP serial ID provides access to identification information that describes the transceiver’s capabilities, standard interfaces, manufacturer, and other information. Additionally, GZCOM SFP+ transceivers provide a unique enhanced digital diagnostic monitoring interface, which allows real-time access to device operating parameters such as transceiver temperature, laser bias current, transmitted optical power, received optical power and transceiver supply voltage. It also defines a sophisticated system of alarm and warning flags, which alerts end-users when particular operating parameters are outside of a factory set normal range.

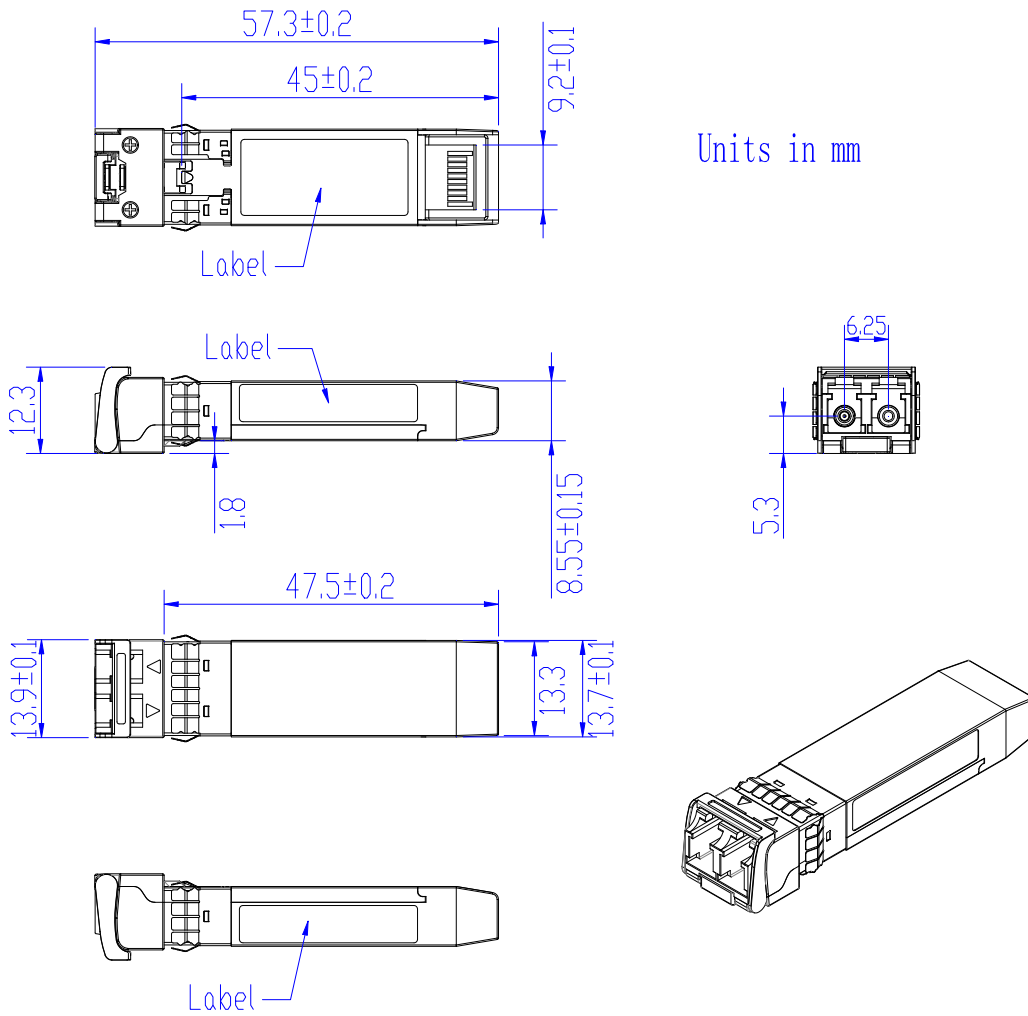
The SFP+ MSA defines a 256-byte memory map in EEPROM that is accessible over a 2-wire serial interface at the 8 bit address 1010000X (A0h). The digital diagnostic monitoring interface makes use of the 8 bit address 1010001X (A2h), so the originally defined serial ID memory map remains unchanged.

The operating and diagnostics information is monitored and reported by a Digital Diagnostics Transceiver Controller (DDTC) inside the transceiver, which is accessed through a 2-wire serial interface. When the serial protocol is activated, the serial clock signal (SCL, Mod Def 1) is generated by the host. The positive edge clocks data into the SFP transceiver into those segments of the E2PROM that are not write-protected. The negative edge clocks data from the SFP transceiver. The serial data signal (SDA, Mod Def 2) is bi-directional for serial data transfer. The host uses SDA in conjunction with SCL to mark the start and end of serial protocol activation. The memories are organized as a series of 8-bit data words that can be addressed individually or sequentially.

### Host - Transceiver Interface Block Diagram



### Outline Dimensions



GZCOM reserves the right to make changes to the products or information contained herein without notice. No liability is assumed as a result of their use or application. No rights under any patent accompany the sale of any such products or information.

Published by Shenzhen GZCOM Communication Co., Ltd.

Copyright ©GZCOM

All Rights Reserved